



CONTEMPORANEO

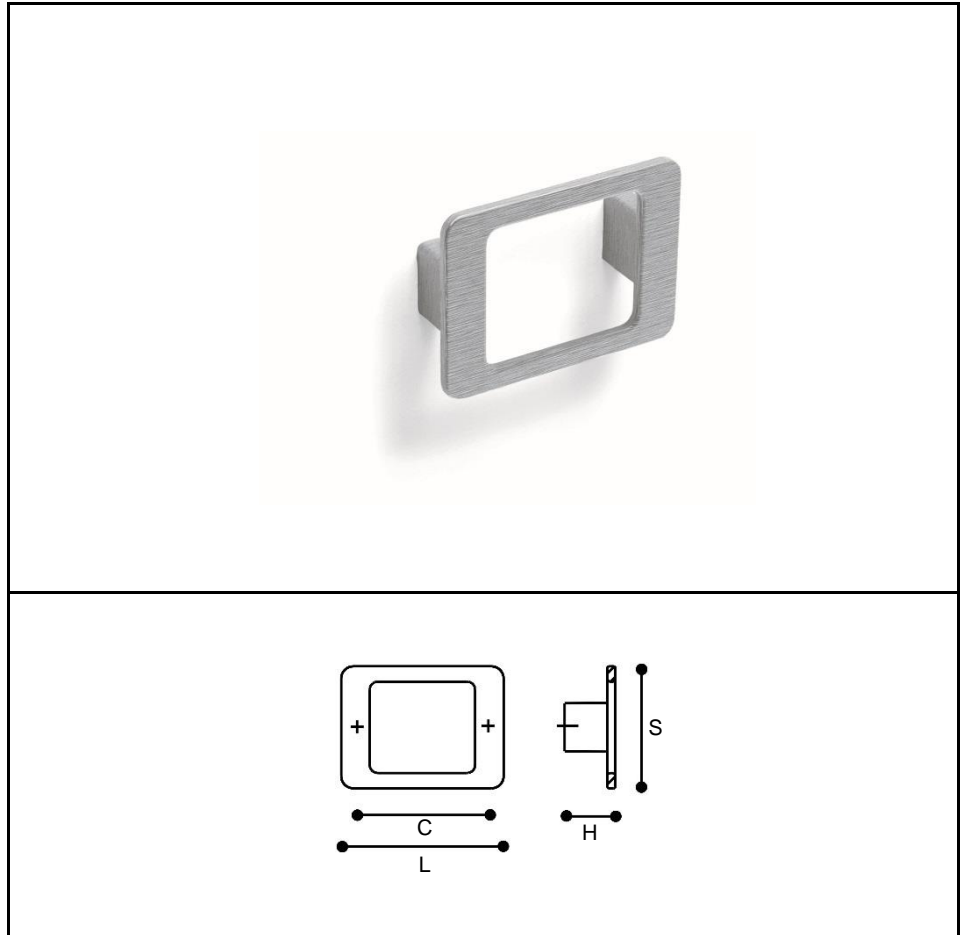
CONTEMPORARY

MANIGLIE PONTE

BRIDGE HANDLES

MODEL
12778

MAT.: ZINKRAL



Code	Width (L)	Holes Gap (C)	Height (H)	Depth (S)	Weight (gr.)
12778.C	80	64	25	60	107